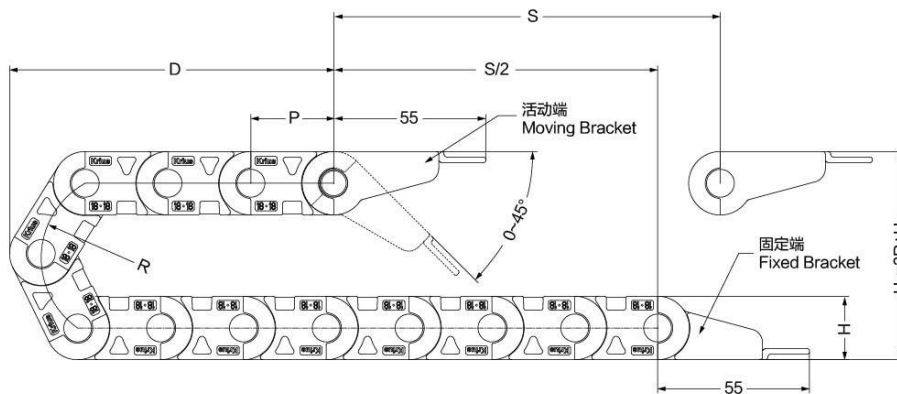
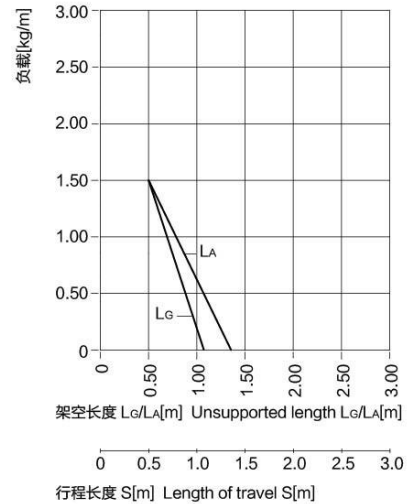
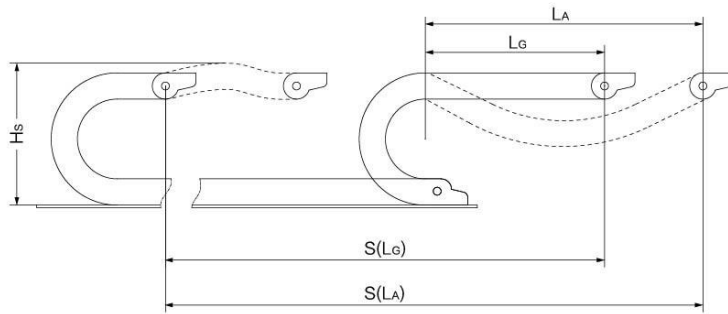


FN18-II拖链-安装尺寸及技术参数 FN18-II Cable Chain-Installation Dimensions and Technical Parameters

架空长度 Unsupported length

- L_G = 直线架空长度
- L_A = 安全塌腰架空长度
- L_G = Unsupported with straight upper run
- L_A = Unsupported with permitted sag



- S = 行程长度
- R = 弯曲半径
- P = 节距
- L = 拖链长度
- N = 每米链节数
- H_L = 理论安装高度
- H_s = 实际安装高度
- D = 拖链退回极限位置时的最小距离
- K = $\pi \cdot R + 2P$
- * K值可在科瑞斯相关表格中直接查询
- S = Length of travel
- R = Bending Radius
- P = Pitch
- L = Length of chain
- N = Links per meter
- H_L = Nominal clearance height
- H_s = Required clearance height
- D = Overlength Energy Chain radius in final position
- K = $\pi \cdot R + 2P$
- * You can find it from below chart for more details

| R | H _L | D | K | P |
|------------|----------------|-------------|-------------|-----------|
| 28 (1.10) | 79 (3.11) | 66 (2.59) | 150 (5.91) | 30 (1.18) |
| 38 (1.50) | 99 (3.90) | 86 (3.39) | 180 (7.09) | 30 (1.18) |
| 48 (1.90) | 119 (4.69) | 106 (4.17) | 210 (8.27) | 30 (1.18) |
| 75 (2.95) | 173 (6.81) | 160 (6.30) | 295 (11.61) | 30 (1.18) |
| 100 (3.94) | 223 (8.78) | 210 (8.27) | 375 (14.76) | 30 (1.18) |
| 110 (4.33) | 243 (9.57) | 230 (9.06) | 405 (15.94) | 30 (1.18) |
| 125 (4.92) | 273 (10.75) | 260 (10.24) | 450 (17.71) | 30 (1.18) |
| 145 (5.71) | 313 (12.32) | 290 (11.42) | 515 (20.28) | 30 (1.18) |
| 180 (7.09) | 383 (15.08) | 370 (14.57) | 625 (24.61) | 30 (1.18) |

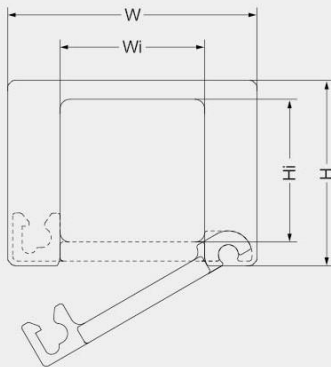
实际安装高度: $H_s = H_L + 20\text{mm}$
拖链长度: $L = S/2 + K$
每米链节数: $N = 33$ (990mm)

The required clearance height: $H_s = H_L + 0.79\text{in.}$
Chain length: $L = S/2 + K$
Links per meter: $N = 33$ (38.98 in.)

| 技术参数 Technical Parameters | | |
|---------------------------|--------------------------------|--|
| 速度/加速度 L_G | Speed/acceleration L_G | max.25[m/s]/max.205[m/s ²] |
| 速度/加速度 L_A | Speed/acceleration L_A | max.5[m/s]/max.8[m/s ²] |
| 滑行速度/加速度 | Gliding speed/acceleration | max.5[m/s]/max.12[m/s ²] |
| 材料-允许温度 °C | Material-permitted temperature | igumid G/-40°C至+125°C |
| 阻燃等级, igumid G | Flammability Class, igumid G | VDE 0304 IIC UL94 V2 |

FN18-II 拖链-产品规格范围 FN18-II Cable Chain-Product specifications

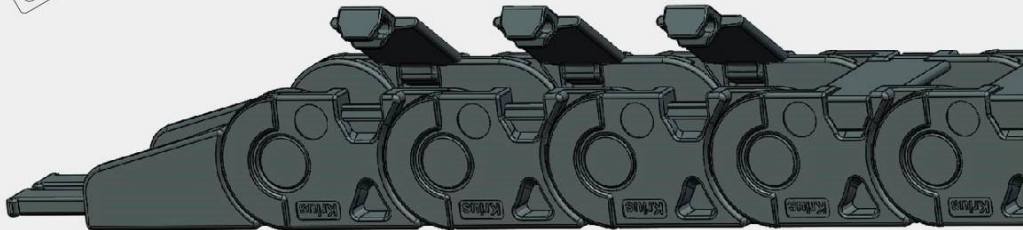
FN18-II拖链-内侧可开 FN18-II Cable Chain-Inner can be opened



产品代码结构
Part Number Structure

FN1818-II*R*L*n

- 数量 (Quantity)
- 拖链长度 (Length of Cable chains)
- 弯曲半径 (Bending Radius)
- 内宽 (Inner Width)
- 型号 (Type)



| 型号 Type | 弯曲半径<R> Bending radius | 内高<Hi> Inner height | 内宽<Wi> Inner width | 外高<H> Outer height | 外宽<W> Outer Width | 重量<G> Weight | 备注 Remark |
|------------|---------------------------|------------------------|-----------------------|-----------------------|----------------------|-----------------|--------------|
| | mm (in.) | mm (in.) | mm (in.) | mm (in.) | mm (in.) | kg/m (lbs/ft) | |
| FN1818-II | | 18 (0.71) | 18.2 (0.72) | 23 (0.91) | 30.2 (1.19) | 0.37 (0.25) | |
| FN1825-II | | | 25.2 (0.99) | | 37.2 (1.46) | 0.41 (0.28) | |
| FN1835-II | | | 35.2 (1.39) | | 47.2 (1.86) | 0.45 (0.31) | |
| FN1840-II | | | 40.2 (1.58) | | 52.2 (2.06) | 0.47 (0.32) | |
| FN1850-II | | | 50.2 (1.98) | | 62.2 (2.46) | 0.55 (0.37) | |

订货范例
Order details

FN1818-II * R28 * 1000mm * 2

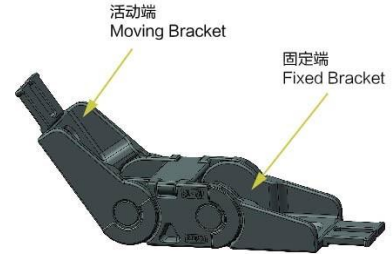
| R | Hi | D | K | P |
|------------|-------------|-------------|-------------|-----------|
| 28 (1.10) | 79 (3.11) | 66 (2.59) | 150 (5.91) | 30 (1.18) |
| 38 (1.50) | 99 (3.90) | 86 (3.39) | 180 (7.09) | 30 (1.18) |
| 48 (1.90) | 119 (4.69) | 106 (4.17) | 210 (8.27) | 30 (1.18) |
| 75 (2.95) | 173 (6.81) | 160 (6.30) | 295 (11.61) | 30 (1.18) |
| 100 (3.94) | 223 (8.78) | 210 (8.27) | 375 (14.76) | 30 (1.18) |
| 110 (4.33) | 243 (9.57) | 230 (9.06) | 405 (15.94) | 30 (1.18) |
| 125 (4.92) | 273 (10.75) | 260 (10.24) | 450 (17.71) | 30 (1.18) |
| 145 (5.71) | 313 (12.32) | 290 (11.42) | 515 (20.28) | 30 (1.18) |
| 180 (7.09) | 383 (15.08) | 370 (14.57) | 625 (24.61) | 30 (1.18) |



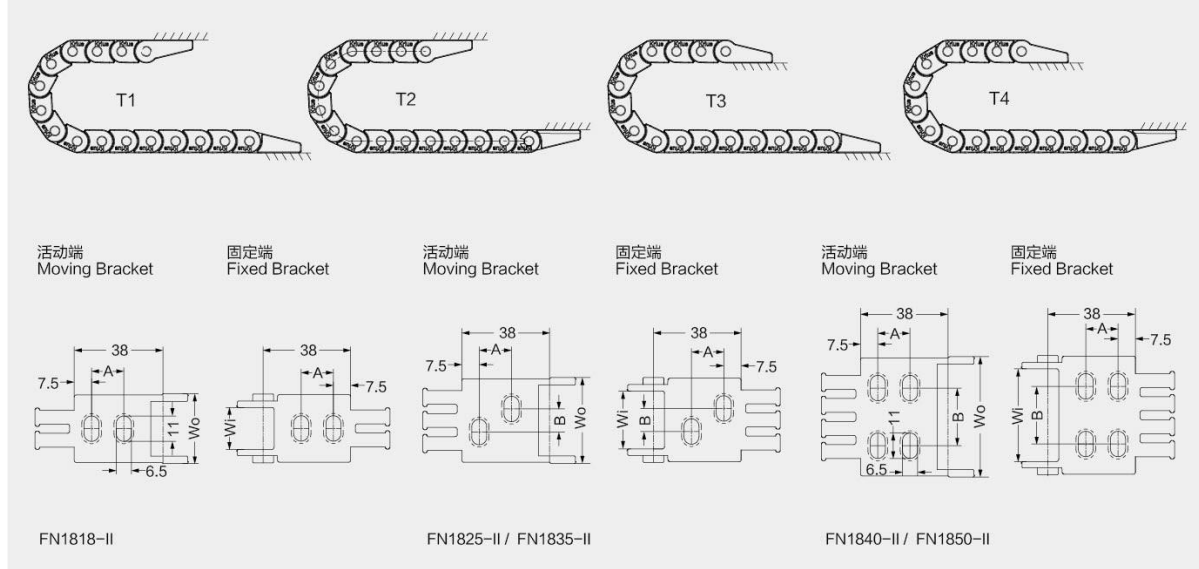
FN18-II 拖链-拖链接头 FN18-II Cable Chain-Mounting Bracket

塑料接头，整体式 Plastic Mounting Bracket, Integrated type

- 整体式接头
 - 耐腐蚀 & 耐摩擦
 - 可提供预装配形式
 - 带有去应力梳状片
 - 可实现内外连接
- Integrated type Mounting Bracket
 - Anti-corrosion, Rub-resistance
 - Available preassembly form
 - With strain relief tie-wrap plates
 - Can realize the internal and external connections



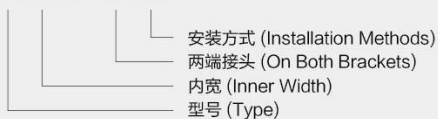
可选配的接头安装方式 Available installation methods



| 拖链型号 Type | 拖链编码 Code | 接头编码 Code | Wo尺寸 Dimension Wo | A尺寸 Dimension A | B尺寸 Dimension B |
|--------------|--------------|--------------|----------------------|--------------------|--------------------|
| | | | mm (in.) | mm (in.) | mm (in.) |
| FN1818-II | 13206 | 13201 | 30.2 (1.19) | | - |
| FN1825-II | 13207 | 13202 | 37.2 (1.46) | | 10 (0.39) |
| FN1835-II | 13208 | 13203 | 47.2 (1.86) | 14 (0.55) | 20 (0.79) |
| FN1840-II | 13209 | 13204 | 52.2 (2.06) | | 25 (0.98) |
| FN1850-II | 13210 | 13205 | 62.2 (2.46) | | 35 (1.38) |

产品代码结构 Part Number Structure

FN1818-II*B*T1



- FN1818-II *B*T1*n 两端接头
On both brackets
- FN1818-II*f*T1*n 固定端接头
Fixed bracket
- FN1818-II*m*T1*n 移动端接头
Moving bracket

★ 每款拖链的接头都有所不同，订购时如有任何疑问，请及时咨询科瑞斯。
Every bracket is different, please contact us if you have any question.