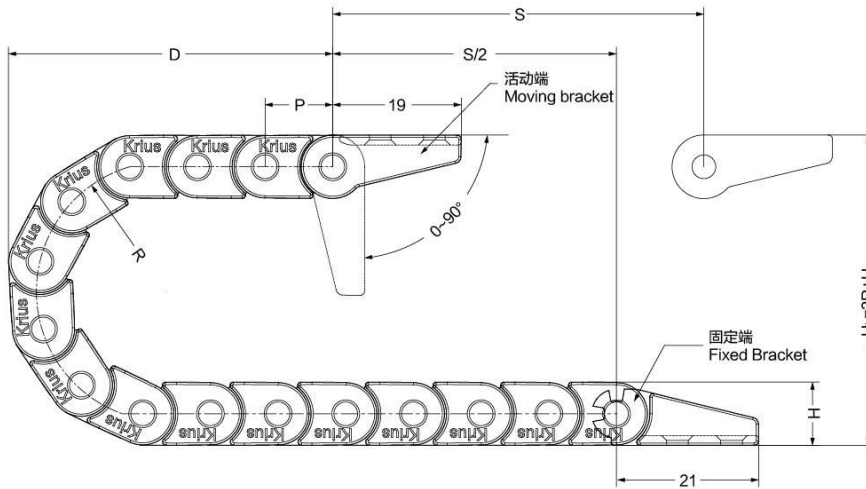
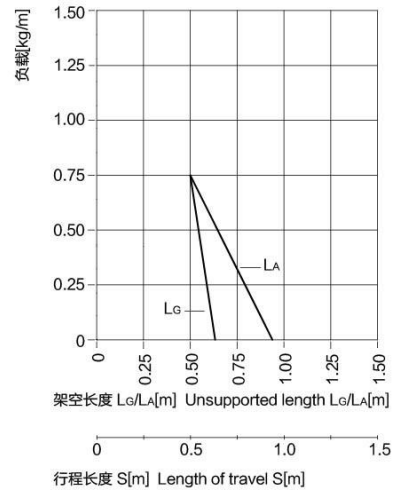
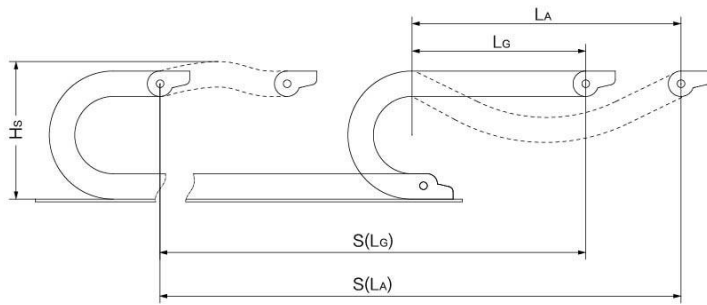


W06 · W07 拖链—安装尺寸及技术参数 W06 · W07 Chain—Installation Dimensions and Technical Parameters

架空长度 Unsupported length

- L_G = 直线架空长度
- L_A = 安全塌腰架空长度
- L_G = Unsupported with straight upper run
- L_A = Unsupported with permitted sag



- S = 行程长度
- R = 弯曲半径
- P = 节距
- L = 拖链长度
- N = 每米链节数
- H_L = 理论安装高度
- H_s = 实际安装高度
- D = 拖链退回极限位置时的最小距离
- K = $\pi \cdot R + 2P$
- * K值可在科瑞斯相关表格中直接查询
- S = Length of travel
- R = Bending Radius
- P = Pitch
- L = Length of chain
- N = Links per meter
- H_L = Nominal clearance height
- H_s = Required clearance height
- D = Overlength Energy Chain radius in final position
- K = $\pi \cdot R + 2P$
- * You can find it from below chart for more details

R	H _L	D	K	P
mm (in.)	mm (in.)	mm (in.)	mm (in.)	mm (in.)
18 (0.71)	46 (1.81)	46 (1.81)	75 (2.95)	10 (0.39)

实际安装高度: $H_s = H_L + 10\text{mm}$
拖链长度: $L = S/2 + K$
每米链节数: $N = 100$ (1000mm)

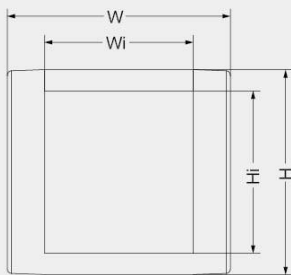
The required clearance height: $H_s = H_L + 0.39\text{in.}$
Chain length: $L = S/2 + K$
Links per meter: $N = 100$ (39.37 in.)

技术参数 Technical Parameters		
速度/加速度 L_G	Speed/acceleration L_G	max.25[m/s]/max.205[m/s ²]
速度/加速度 L_A	Speed/acceleration L_A	max.5[m/s]/max.8[m/s ²]
滑行速度/加速度	Gliding speed/acceleration	max.5[m/s]/max.12[m/s ²]
材料—允许温度 °C	Material—permitted temperature	igumid G/−40°C至+125°C
阻燃等级, igumid G	Flammability Class, igumid G	VDE 0304 IIC UL94 V2

W06 · W07 拖链-产品规格范围

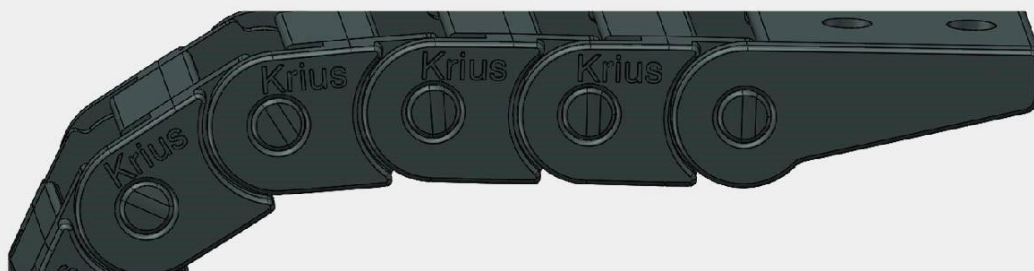
W06 · W07 Cable Chain-Product specifications

W06 · W07拖链-不可打开 W06 · W07Cable Chain-cannot be opened



产品代码结构
Part Number Structure

W0610*R*L*n



型号 Type	弯曲半径<R> Bending radius	内高<Hi> Inner height	内宽<Wi> Inner width	外高<H> Outer height	外宽<W> Outer Width	重量<G> Weight	备注 Remark
	mm (in.)	mm (in.)	mm (in.)	mm (in.)	mm (in.)	kg/m (lbs/ft)	
W0610		6.4 (0.25)	10.4 (0.41)	9.4 (0.37)	15.6 (0.61)	0.1 (0.07)	
W0707		7.4 (0.29)	7.4 (0.29)	10.4 (0.41)	13 (0.51)	0.1 (0.07)	

订货范例
Order details

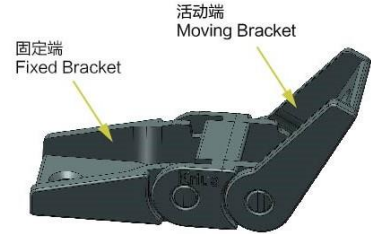
W0610 * R18 * 1000mm * 2

R	Hi	D	K	P
mm (in.)	mm (in.)	mm (in.)	mm (in.)	mm (in.)
18 (0.71)	46 (1.81)	46 (1.81)	75 (2.95)	10 (0.39)

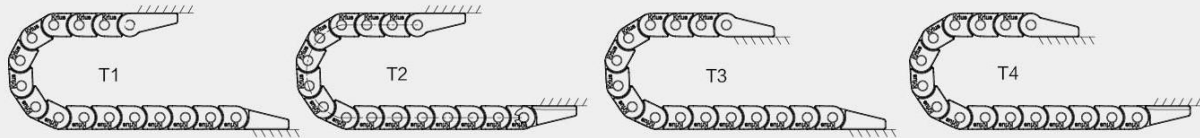
W06 · W07 拖链-拖链接头 W06 · W07 Cable Chain-Mounting Bracket

塑料接头，整体式 Plastic Mounting Bracket, Integrated type

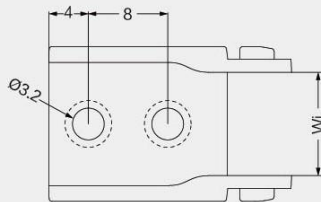
- 整体式接头
- 耐腐蚀 & 耐摩擦
- 可提供预装配形式
- 可实现内外连接
- Integrated type Mounting Bracket
- Corrosion & Rub resistance
- Anti-corrosion, Rub-resistance
- Can realize the internal and external connections



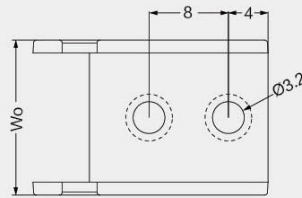
可选配的接头安装方式 Available installation methods



固定端
Fixed Bracket



活动端
Moving Bracket



拖链型号 Type	拖链编码 Code	接头编码 Code	Wo尺寸 Dimension Wo mm (in.)	B尺寸 Dimension B mm (in.)
W0610	12226	12227	15.6 (0.61)	-
W0707	12228	12229	13 (0.51)	-

产品代码结构 Part Number Structure

W0610*B*T1



- W0610*B*T1*n 两端接头
On both brackets
- W0610*f*T1*n 固定端接头
Fixed bracket
- W0610*m*T1*n 移动端接头
Moving bracket

★ 每款拖链的接头都有所不同，订购时如有任何疑问，请及时咨询科瑞斯。
Every bracket is different, please contact us if you have any question.