

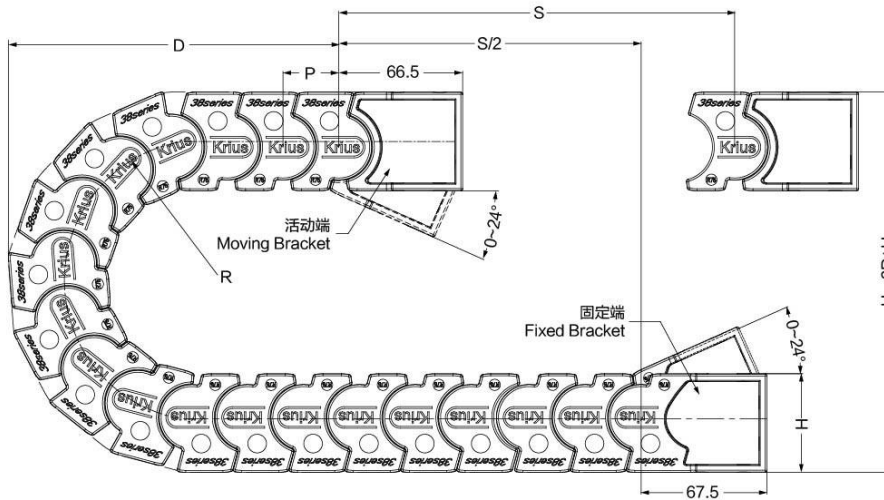
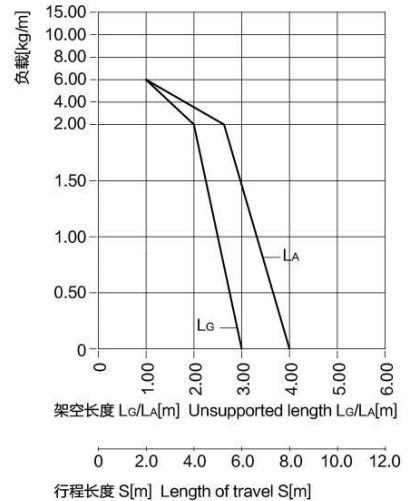
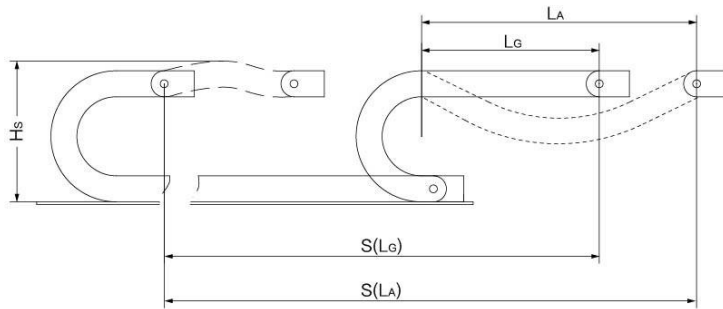
JF38 拖链-安装尺寸及技术参数

JF38 Cable Chain-Installation Dimensions and Technical Parameters

架空长度

Unsupported length

- L_G = 直线架空长度
- L_A = 安全塌腰架空长度
- L_G = Unsupported with straight upper run
- L_A = Unsupported with permitted sag



- S = 行程长度
- R = 弯曲半径
- P = 节距
- L = 拖链长度
- N = 每米链节数
- H_L = 理论安装高度
- H_s = 实际安装高度
- D = 拖链退回极限位置时的最小距离
- $K = \pi \cdot R + 2P$
- * K值可在科瑞斯相关表格中直接查询
- S = Length of travel
- R = Bending Radius
- P = Pitch
- L = Length of chain
- N = Links per meter
- H_L = Nominal clearance height
- H_s = Required clearance height
- D = Overlength Energy Chain radius in final position
- $K = \pi \cdot R + 2P$
- * You can find it from below chart for more details

| R | H _L | D | K | P |
|------------|----------------|-------------|-------------|-----------|
| 125 (4.92) | 303 (11.93) | 260 (10.24) | 450 (17.72) | 30 (1.18) |
| 150 (5.91) | 353 (13.90) | 310 (12.20) | 530 (20.87) | 30 (1.18) |
| 200 (7.87) | 453 (17.83) | 410 (16.14) | 690 (27.17) | 30 (1.18) |

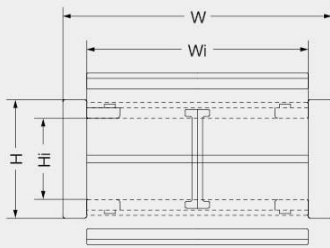
实际安装高度: $H_s = H_L + 50\text{mm}$
拖链长度: $L = S/2 + K$
每米链节数: $N = 33$ (990mm)

The required clearance height: $H_s = H_L + 1.97$
Chain length: $L = S/2 + K$
Links per meter: $N = 33$ (38.98 in.)

| 技术参数 Technical Parameters | | |
|---------------------------|--------------------------------|--|
| 速度/加速度 L_G | Speed/acceleration L_G | max.25[m/s]/max.205[m/s ²] |
| 速度/加速度 L_A | Speed/acceleration L_A | max.5[m/s]/max.8[m/s ²] |
| 滑行速度/加速度 | Gliding speed/acceleration | max.5[m/s]/max.12[m/s ²] |
| 材料-允许温度 °C | Material-permitted temperature | igumid G/-40°C至+125°C |
| 阻燃等级, igumid G | Flammability Class, igumid G | VDE 0304 IIC UL94 V2 |

JF38 拖链-产品规格范围 JF38 Cable Chain-Product specifications

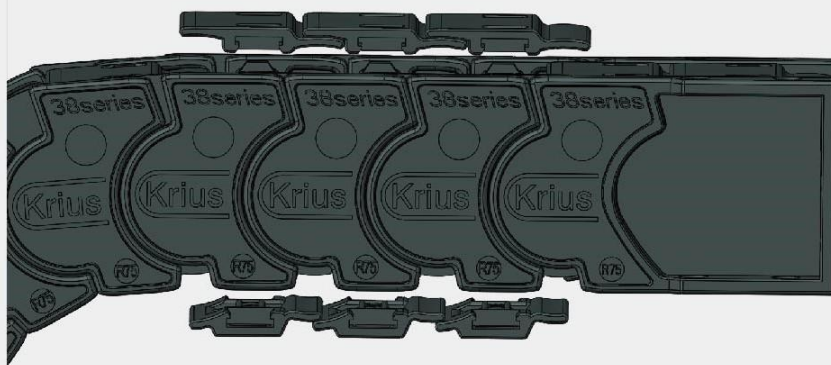
JF38拖链-内外侧可开 JF38 Cable Chain-Inner and outer can be opened



产品代码结构
Part Number Structure

JF3850*R*L*n

- 数量 (Quantity)
- 拖链长度 (Length of Cable chains)
- 弯曲半径 (Bending Radius)
- 内宽 (Inner Width)
- 型号 (Type)



| 型号 Type | 弯曲半径<R> Bending radius | 内高<Hi> Inner height | 内宽<Wi> Inner width | 外高<H> Outer height | 外宽<W> Outer Width | 重量<G> Weight | 备注 Remark |
|------------|---------------------------|------------------------|-----------------------|-----------------------|----------------------|-----------------|--------------|
| | mm (in.) | mm (in.) | mm (in.) | mm (in.) | mm (in.) | kg/m (lbs/ft) | |
| JF3850 | | 39.4 (1.55) | 51 (2.01) | 53 (2.09) | 71 (2.80) | 1.50 (1.02) | |
| JF3860 | | | 61 (2.40) | | 81 (3.19) | 1.58 (1.07) | |
| JF3870 | | | 71 (2.80) | | 91 (3.58) | 1.60 (1.09) | |
| JF3880 | | | 81 (3.19) | | 101 (3.98) | 1.70 (1.16) | |
| JF3890 | | | 91 (3.58) | | 111 (4.37) | 1.80 (1.22) | |

订货范例
Order details

JF3850 * R125 * 1000mm * 2

| R | Hi | D | K | P |
|------------|-------------|-------------|-------------|-----------|
| 125 (4.92) | 303 (11.93) | 260 (10.24) | 450 (17.72) | 30 (1.18) |
| 150 (5.91) | 353 (13.90) | 310 (12.20) | 530 (20.87) | 30 (1.18) |
| 200 (7.87) | 453 (17.83) | 410 (16.14) | 690 (27.17) | 30 (1.18) |

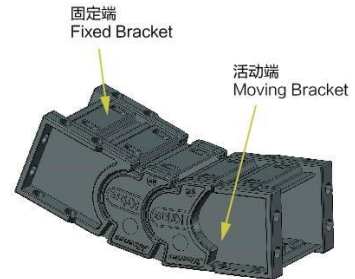


JF38 拖链
JF38 Cable Chain

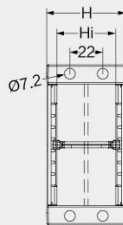
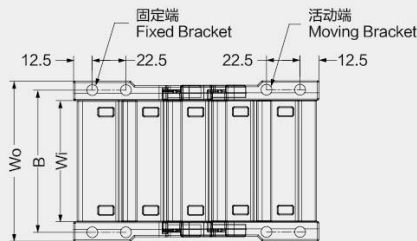
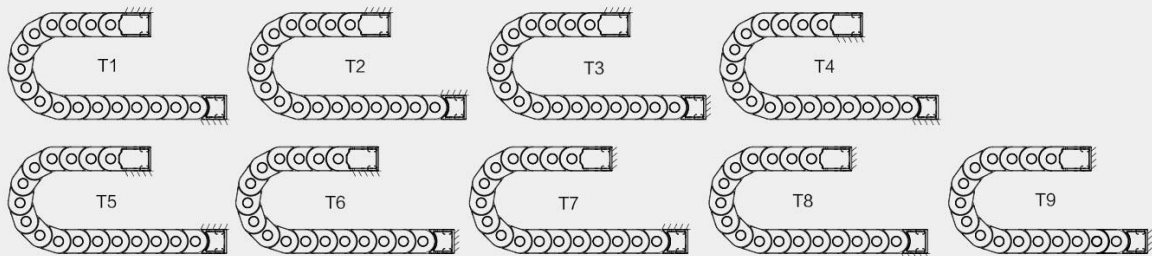
JF38 拖链-拖链接头 JF38 Cable Chain-Mounting Bracket

塑料接头, 分体式 Plastic Mounting Bracket, Splited structure

- 各个侧面均有安装孔
 - 双侧独立式接头
 - 无孔销装配连接
 - 两端接头均可活动
 - 耐腐蚀 & 耐摩擦
 - 可提供预装配形式
 - 可实现内外连接
- Mounting brackets with attachment points on each side
 - Separate mounting bracket on both sides
 - No pin and bore connection
 - Moved connectors on both sides
 - Anti-corrosion, Rub-resistance
 - Available preassembly form
 - Can realize the internal and external connections



可选配的接头安装方式 Available installation methods



JF3850
JF3860
JF3870
JF3880
JF3890

| 拖链型号 Type | 拖链编码 Code | 其他编码 Other Code | | Wo尺寸 Dimension Wo | B尺寸 Dimension B |
|--------------|--------------|------------------------|-------|----------------------|--------------------|
| | | | | mm (in.) | mm (in.) |
| JF3850 | 12074 | | | 77 (3.03) | 65 (2.56) |
| JF3860 | 12075 | 接头 Mounting Bracket | 12067 | 87 (3.43) | 75 (2.95) |
| JF3870 | 12076 | | 12068 | 97 (3.82) | 85 (3.35) |
| JF3880 | 12077 | 主体 Main Body Code | 12066 | 107 (4.21) | 95 (3.74) |
| JF3890 | 12078 | | 12080 | 117 (4.61) | 105 (4.13) |

产品代码结构 Part Number Structure

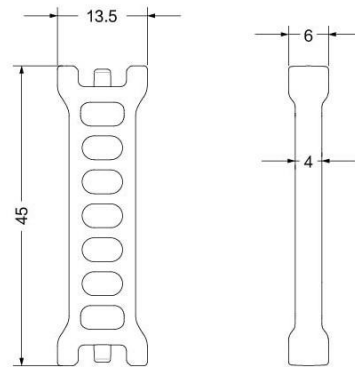
JF3850*B*T1



- JF3850*B*T1*n 两端接头
On both brackets
- JF3850*f*T1*n 固定端接头
Fixed bracket
- JF3850*m*T1*n 移动端接头
Moving bracket

★ 每款拖链的接头都有所不同, 订购时如有任何疑问, 请及时咨询科瑞斯。
Every bracket is different, please contact us if you have any question.

JF38 拖链-隔离片 JF38 Cable Chain-Separator



JF38拖链隔离片编码：12079
The separator No. for JF38 : 12079

- 本款拖链标配隔离片为竖隔片，可以实现垂直分隔，也可订制铝杆作为横隔片，实现水平分隔
- 竖隔片的数量可以根据客户的实际需求进行配备，可以每隔一个链节装一个，也可以每隔一个链节装几个，客户可任意配备
- 竖隔片安装完成后，不能滑动
- The standard separator is vertical direction which can make the vertical division, and also we can customize horizontal Al separator for horizontal division
- Vertical separators can be placed into each link or different quantity links, it can be customized
- Separator can't be moved after assembling

