

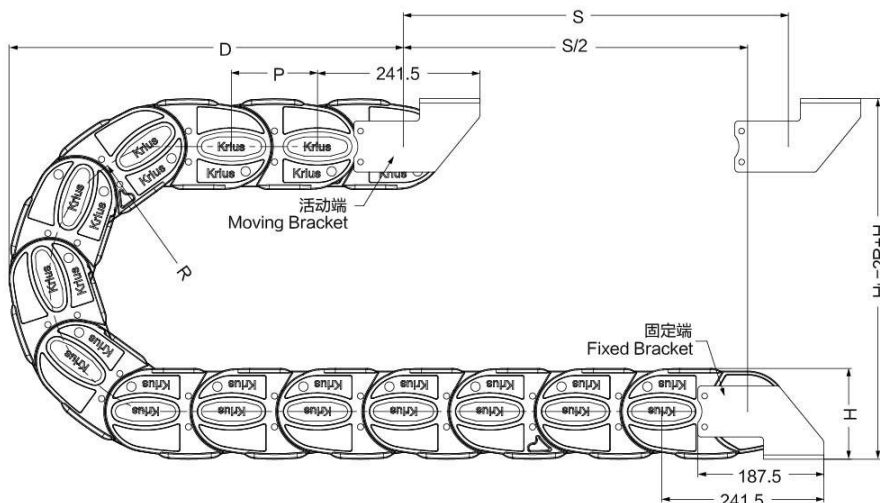
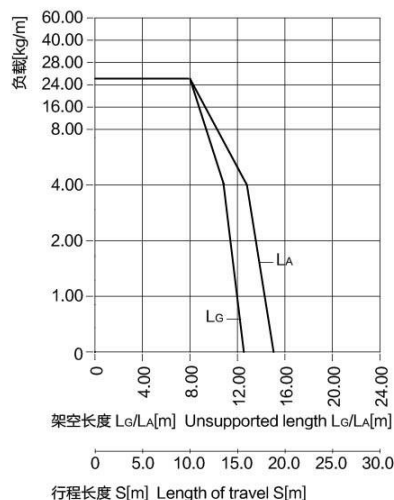
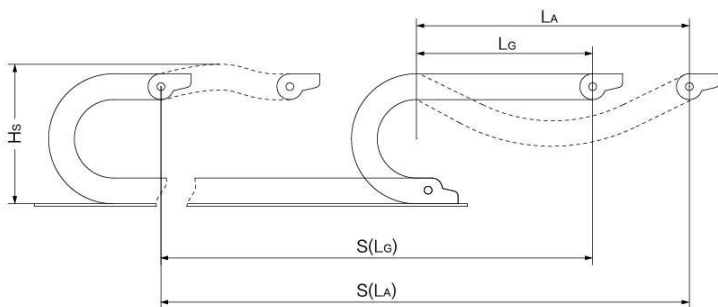
HQ88 拖链-安装尺寸及技术参数

HQ88 Cable Chain-Installation Dimensions and Technical Parameters

架空长度

Unsupported length

- L_G = 直线架空长度
- L_A = 安全塌腰架空长度
- L_G = Unsupported with straight upper run
- L_A = Unsupported with permitted sag



- S = 行程长度
- R = 弯曲半径
- P = 节距
- L = 拖链长度
- N = 每米链节数
- H_L = 理论安装高度
- H_s = 实际安装高度
- D = 拖链退回极限位置时的最小距离
- $K = \pi \cdot R + 2P$
- * K值可在科瑞斯相关表格中直接查询
- S = Length of travel
- R = Bending Radius
- P = Pitch
- L = Length of chain
- N = Links per meter
- H_L = Nominal clearance height
- H_s = Required clearance height
- D = Overlength Energy Chain radius in final position
- $K = \pi \cdot R + 2P$
- * You can find it from below chart for more details

R	H _L	D	K	P
200 (7.87)	535 (21.06)	410 (16.14)	885 (34.84)	128 (3.94)
250 (9.84)	635 (25.00)	510 (20.08)	1040 (40.94)	128 (3.94)
300 (11.81)	735 (28.94)	610 (24.02)	1200 (47.24)	128 (3.94)
350 (13.78)	835 (32.87)	710 (27.95)	1355 (53.35)	128 (3.94)
400 (15.75)	935 (36.81)	810 (31.89)	1510 (59.45)	128 (3.94)
500 (19.69)	1135 (44.69)	1010 (39.76)	1825 (71.85)	128 (3.94)

实际安装高度: $H_s = H_L + 100\text{mm}$

拖链长度: $L = S/2 + K$

每米链节数: $N = 8$ (1024mm)

The required clearance height: $H_s = H_L + 3.94\text{in.}$

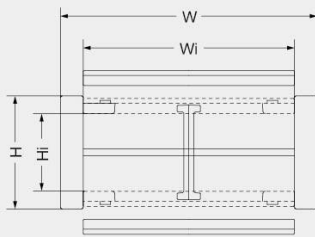
Chain length: $L = S/2 + K$

Links per meter: $N = 8$ (40.31 in.)

技术参数 Technical Parameters		
速度/加速度 L_G	Speed/acceleration L_G	max.25[m/s]/max.205[m/s ²]
速度/加速度 L_A	Speed/acceleration L_A	max.5[m/s]/max.8[m/s ²]
滑行速度/加速度	Gliding speed/acceleration	max.5[m/s]/max.12[m/s ²]
材料-允许温度 °C	Material-permitted temperature	igumid G/-40°C至+125°C
阻燃等级, igumid G	Flammability Class, igumid G	VDE 0304 IIC UL94 V2

HQ88 拖链-产品规格范围 HQ88 Cable Chain-Product specifications

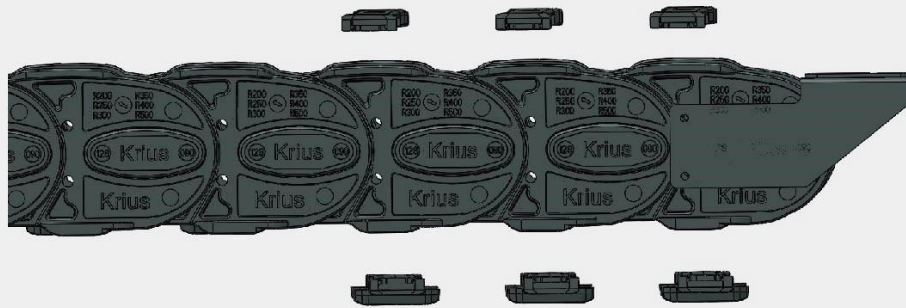
HQ88拖链-内外侧可开 HQ88 Cable Chain-Inner and outer can be opened



产品代码结构
Part Number Structure

HQ88100*R*L*n

- 数量 (Quantity)
- 拖链长度 (Length of Cable chains)
- 弯曲半径 (Bending Radius)
- 内宽 (Inner Width)
- 型号 (Type)



型号 Type	弯曲半径<R> Bending radius	内高<Hi> Inner height	内宽<Wi> Inner width	外高<H> Outer height	外宽<W> Outer Width	重量<G> Weight	备注 Remark
	mm (in.)	mm (in.)	mm (in.)	mm (in.)	mm (in.)	kg/m (lbs/ft)	
HQ88100		92 (3.62)	102 (4.02)	135 (5.31)	146 (5.75)	5.20 (3.54)	
HQ88150			152 (5.98)		196 (7.72)	5.50 (3.74)	
HQ88200			202 (7.95)		246 (9.69)	6.20 (4.22)	
HQ88250			252 (9.92)		296 (11.65)	6.50 (4.42)	
HQ88300			302 (11.89)		346 (13.62)	6.80 (4.62)	
HQ88350			352 (13.86)		396 (15.59)	7.20 (4.90)	
HQ88400			402 (15.82)		446 (17.56)	7.51 (5.11)	

订货范例
Order details

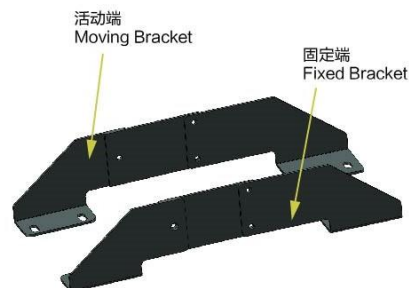
HQ88100 * R200 * 1000mm * 2

R	Hi	D	K	P
200 (7.87)	535 (21.06)	410 (16.14)	885 (34.84)	128 (3.94)
250 (9.84)	635 (25.00)	510 (20.08)	1040 (40.94)	128 (3.94)
300 (11.81)	735 (28.94)	610 (24.02)	1200 (47.24)	128 (3.94)
350 (13.78)	835 (32.87)	710 (27.95)	1355 (53.35)	128 (3.94)
400 (15.75)	935 (36.81)	810 (31.89)	1510 (59.45)	128 (3.94)
500 (19.69)	1135 (44.69)	1010 (39.76)	1825 (71.85)	128 (3.94)

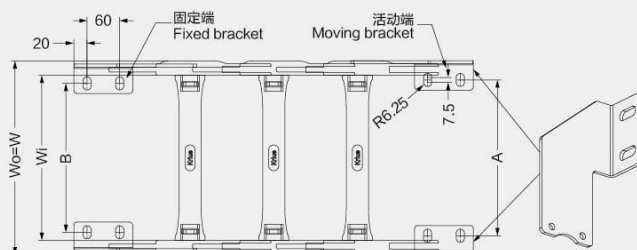
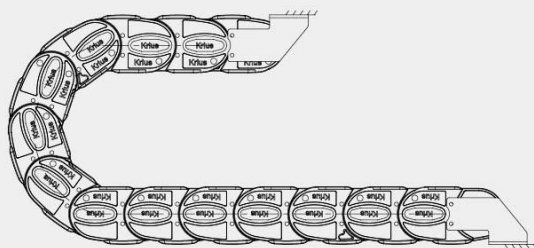
HQ88 拖链-拖链接头 HQ88 Cable Chain-Mounting Bracket

钢制接头, 分体式 Steel Mounting Bracket, Splitted structure

- 双侧独立式钢制接头
 - 两端接头均可活动
 - 耐腐蚀 & 耐摩擦
 - 可提供预装配形式
 - 可实现内外连接
- Independent Steel mounting bracket on the two end
 - Moved connectors on both sides
 - Anti-corrosion, Rub-resistance
 - Available preassembly form
 - Can realize the internal and external connections



接头安装方式 Installation methods



HQ88100 / HQ88150 / HQ88200 / HQ88250
HQ88300 / HQ88350 / HQ88400

拖链型号 Type	拖链编码 Code	其他编码 Other Code	Wo尺寸 Dimension Wo	A尺寸 Dimension A	B尺寸 Dimension B
HQ88100	11253		146 (5.75)	mm (in.)	mm (in.)
HQ88150	11254	接头 Mounting Bracket	196 (7.72)	88 (3.46)	77.5 (3.05)
HQ88200	11255	11252	246 (9.69)	138 (5.43)	127.5 (5.02)
HQ88250	11256	隔离片 Separator	296 (11.65)	188 (7.40)	177.5 (6.99)
HQ88300	11257	11261	346 (13.62)	238 (9.37)	227.5 (8.96)
HQ88350	11258	固定片 Fixed Plate	396 (15.59)	288 (11.34)	277.5 (10.93)
HQ88400	11259	11262	446 (17.56)	338 (13.31)	327.5 (12.89)
				388 (15.28)	377.5 (14.86)

产品代码结构 Part Number Structure

HQ88100*B*T1

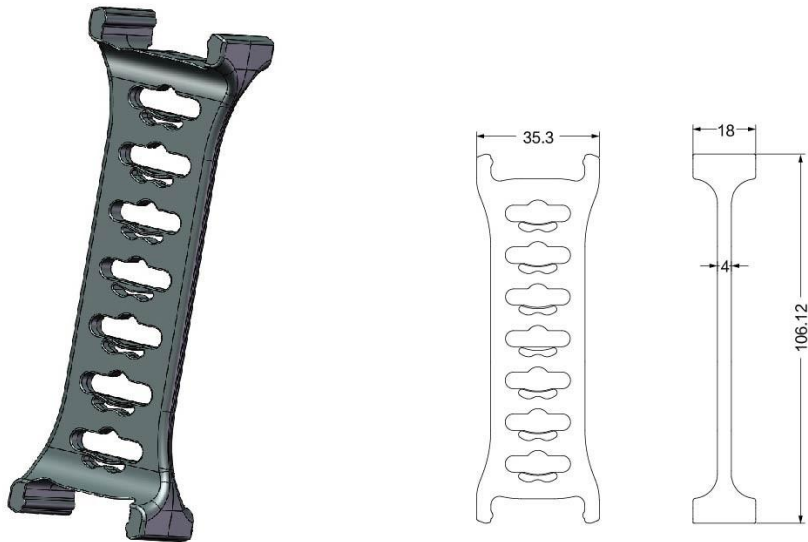


- HQ88100*B*n 两端接头
On both brackets
- HQ88100*f*n 固定端接头
Fixed bracket
- HQ88100*m*n 移动端接头
Moving bracket

★ 每款拖链的接头都有所不同, 订购时如有任何疑问, 请及时咨询科瑞斯。
Every bracket is different, please contact us if you have any question.



HQ88 拖链-隔离片 HQ88 Cable Chain-Separator



HQ88拖链隔离片编码: 11261
The separator No. for HQ88: 11261

- 本款拖链标配隔离片为竖隔片, 可以实现垂直分隔, 也可订制铝杆作为横隔片, 实现水平分隔
- 竖隔片的数量可以根据客户的实际需求进行配备, 可以每隔一个链节装一个, 也可以每隔一个链节装几个, 客户可任意配备
- 竖隔片安装完成后, 可以根据线缆排布进行滑动
- The standard separator is vertical direction which can make the vertical division, and also we can customize horizontal Al separator for horizontal division
- Vertical separators can be placed into each link or different quantity links, it can be customized
- Separator can be moved for different cable