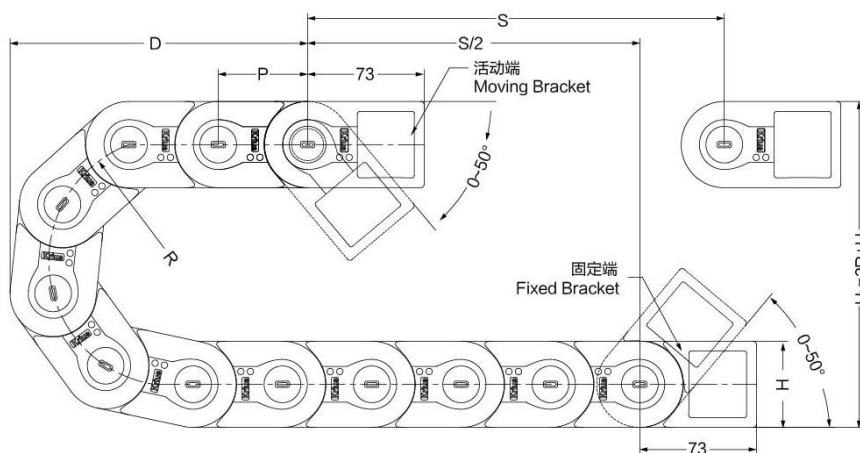
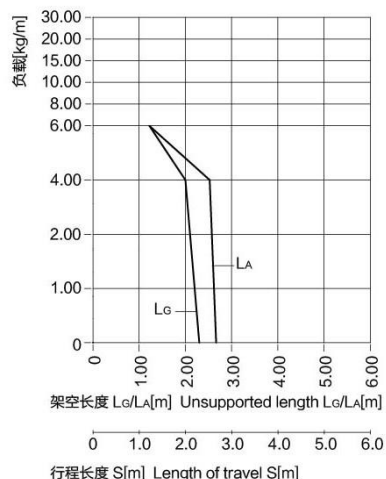
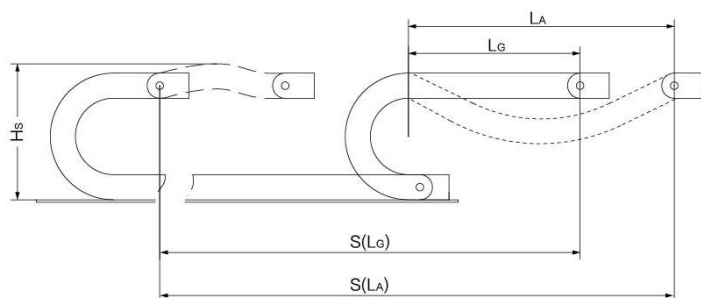


ZQ32 拖链-安装尺寸及技术参数 ZQ32 Cable Chain-Installation Dimensions and Technical Parameters

架空长度 Unsupported length

- L_G = 直线架空长度
- L_A = 安全塌腰架空长度
- L_G = Unsupported with straight upper run
- L_A = Unsupported with permitted sag



- S = 行程长度
- R = 弯曲半径
- P = 节距
- L = 拖链长度
- N = 每米链节数
- H_L = 理论安装高度
- H_s = 实际安装高度
- D = 拖链退回极限位置时的最小距离
- $K = L \cdot R + 2P$
- * K值可在科瑞斯相关表格中直接查询
- S = Length of travel
- R = Bending Radius
- P = Pitch
- L = Length of chain
- N = Links per meter
- H_L = Nominal clearance height
- H_s = Required clearance height
- D = Overlength Energy Chain radius in final position
- $K = L \cdot R + 2P$
- * You can find it from below chart for more details

R	H_L	D	K	P
50 (1.97)	154 (6.06)	110 (4.33)	270 (10.63)	56 (2.20)
75 (2.95)	204 (8.03)	160 (6.30)	350 (13.78)	56 (2.20)
100 (3.94)	254 (10.00)	210 (8.27)	425 (16.73)	56 (2.20)
125 (4.92)	304 (11.97)	260 (10.24)	505 (19.88)	56 (2.20)
150 (5.91)	354 (13.93)	310 (12.20)	585 (23.03)	56 (2.20)
175 (6.89)	404 (15.91)	360 (14.17)	660 (25.98)	56 (2.20)
200 (7.87)	454 (17.87)	410 (16.14)	740 (29.13)	56 (2.20)
220 (8.66)	494 (19.45)	450 (17.72)	800 (31.50)	56 (2.20)
250 (9.84)	554 (21.81)	510 (20.08)	900 (35.43)	56 (2.20)
300 (11.81)	654 (23.03)	610 (24.02)	1055 (41.54)	56 (2.20)

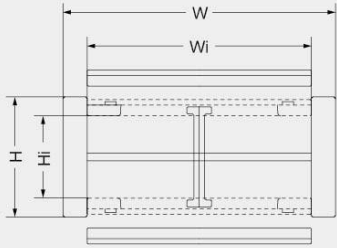
实际安装高度: $H_s = H_L + 55\text{mm}$
拖链长度: $L = S/2 + K$
每米链节数: $N = 18$ (1008mm)

The required clearance height: $H_s = H_L + 2.17\text{in.}$
Chain length: $L = S/2 + K$
Links per meter: $N = 18$ (39.69 in.)

技术参数 Technical Parameters		
速度/加速度 L_G	Speed/acceleration L_G	max.25[m/s]/max.205[m/s ²]
速度/加速度 L_A	Speed/acceleration L_A	max.5[m/s]/max.8[m/s ²]
滑行速度/加速度	Gliding speed/acceleration	max.5[m/s]/max.12[m/s ²]
材料-允许温度 °C	Material-permitted temperature	igumid G/-40°C至+125°C
阻燃等级, igumid G	Flammability Class, igumid G	VDE 0304 IIC UL94 V2

ZQ32 拖链-产品规格范围
ZQ32 Cable Chain-Product specifications

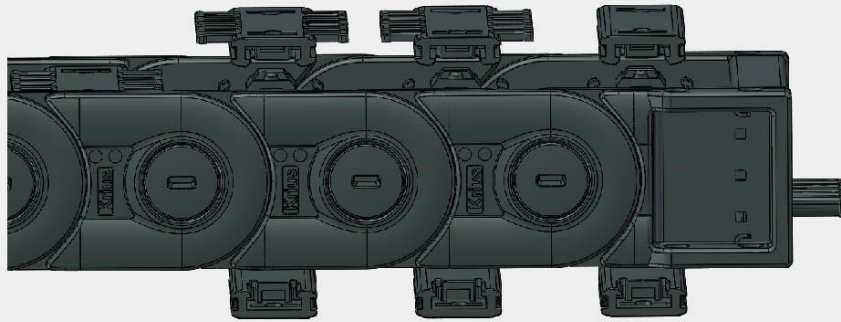
ZQ32拖链-内外侧可开 ZQ32 Cable Chain-Inner and outer can be opened



产品代码结构
Part Number Structure

ZQ3250*R*L*n

- 数量 (Quantity)
- 拖链长度 (Length of Cable chains)
- 弯曲半径 (Bending Radius)
- 内宽 (Inner Width)
- 型号 (Type)



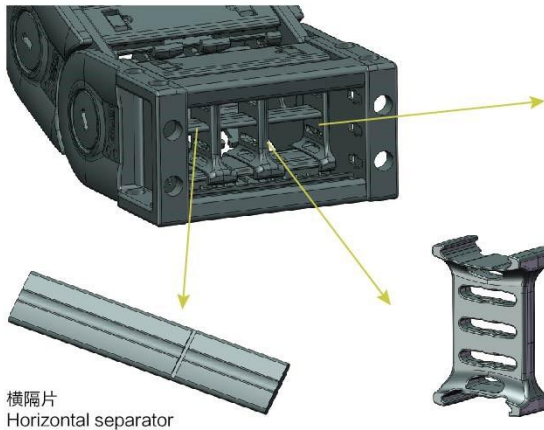
型号 Type	弯曲半径<R> Bending radius	内高<Hi> Inner height	内宽<Wi> Inner width	外高<H> Outer height	外宽<W> Outer Width	重量<G> Weight	备注 Remark
	mm (in.)	mm (in.)	mm (in.)	mm (in.)	mm (in.)	kg/m (lbs/ft)	
ZQ3250		32 (1.26)	50 (1.97)	54 (2.12)	72 (2.83)	1.35 (0.98)	
ZQ3268			68 (2.68)		90 (3.54)	1.46 (0.99)	
ZQ3275			75 (2.95)		97 (3.82)	1.53 (1.04)	
ZQ32100			100 (3.94)		122 (4.80)	1.76 (1.20)	
ZQ32125			125 (4.92)		147 (5.79)	2.03 (1.38)	
ZQ32150			150 (5.91)		172 (6.77)	2.32 (1.58)	

订货范例
Order details

ZQ3250 * R75 * 1000mm * 2

R	HL	D	K	P
50 (1.97)	154 (6.06)	110 (4.33)	270 (10.63)	56 (2.20)
75 (2.95)	204 (8.03)	160 (6.30)	350 (13.78)	56 (2.20)
100 (3.94)	254 (10.00)	210 (8.27)	425 (16.73)	56 (2.20)
125 (4.92)	304 (11.97)	260 (10.24)	505 (19.88)	56 (2.20)
150 (5.91)	354 (13.93)	310 (12.20)	585 (23.03)	56 (2.20)
175 (6.89)	404 (15.91)	360 (14.17)	660 (25.98)	56 (2.20)
200 (7.87)	454 (17.87)	410 (16.14)	740 (29.13)	56 (2.20)
220 (8.66)	494 (19.45)	450 (17.72)	800 (31.50)	56 (2.20)
250 (9.84)	554 (21.81)	510 (20.08)	900 (35.43)	56 (2.20)
300 (11.81)	654 (23.03)	610 (24.02)	1055 (41.54)	56 (2.20)

ZQ32 拖链-隔离片 ZQ32 Cable Chain-Separator



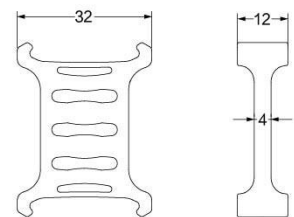
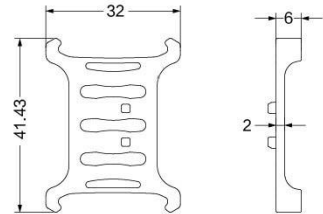
横隔片
Horizontal separator



两侧竖隔片
Vertical separator
on the two end



中间竖隔片
Vertical separator
in the middle part

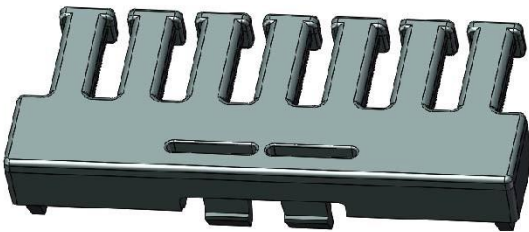


ZQ32拖链隔离片编码: 14256
The separator No. for ZQ32: 14256

- 本款拖链配备的隔离片为竖隔片和横隔片, 可以实现垂直和水平分隔
- 竖隔片和横隔片的数量可以根据客户的实际需求进行配备, 可以每隔一个链节装一个, 也可以每隔一个链节装几个, 客户可任意配备
- 竖隔片可以根据线缆的排布进行滑动

- Vertical and horizontal separator are available for different direction division
- Vertical and horizontal separators can be placed into each link or different quantity links, it can be customized
- Vertical separator can be moved for different cables

ZQ32拖链-梳状板 ZQ32 Cable Chain-Tie-wrap plate

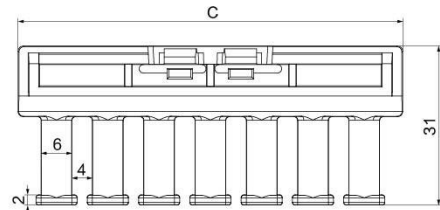


梳状板为独立部件, 可根据需要进行选配
Tie-wrap plate are independent parts, you can order or not referring to your demand

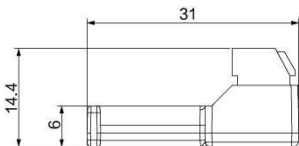
选配代码结构
Part Number Structure

ZQ3250+C型槽+梳状片 ZQ3250+C-Rail+Tie-wrap plate

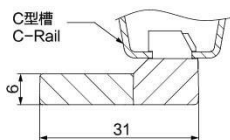
内宽 (Inner Width)
型号 (Type)



单个梳状板
Single tie-wrap plate



组装图
Shown assembled



型号 Type	齿数 Teeth NO.	尺寸C Dimension C
ZQ3250	5	50 (1.97)
ZQ3268	6	68(2.68)
ZQ3275	7	75 (2.95)
ZQ32100	9	100 (3.94)
ZQ32125	11	125 (4.92)
ZQ32150	13	150 (5.91)